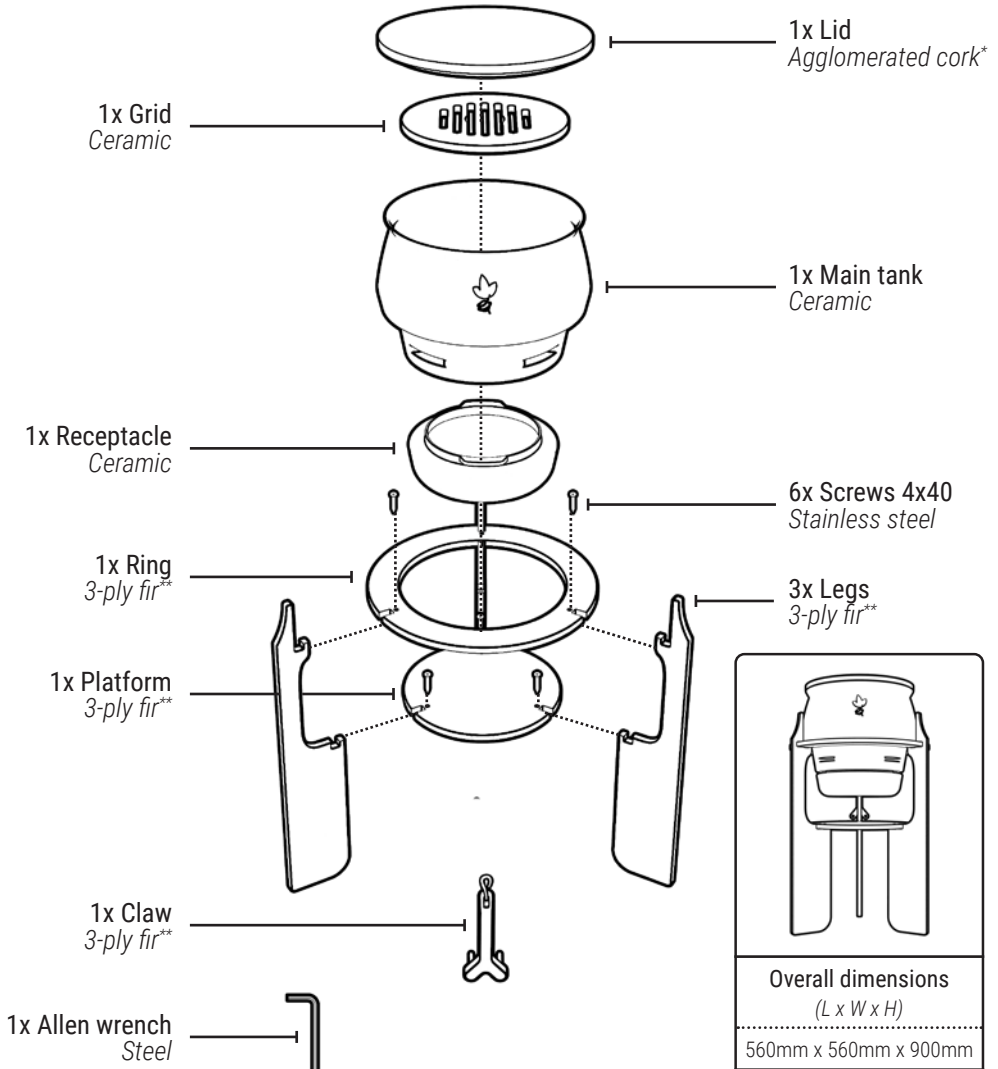


# User guide



ACTIVATERRE®

The wonderful world of vermicomposting has just burst into your interior, you can be proud of yourself. Through this little guide, you will learn how to take control of your vermicomposter and make your compost worms happy roommates.



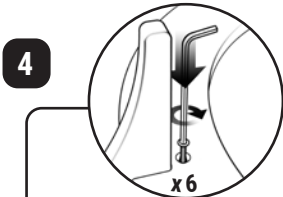
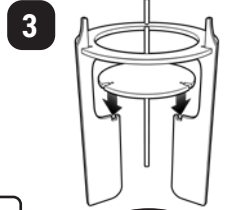
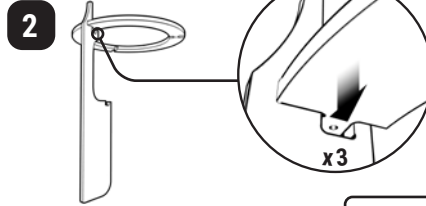
\* Mono-layer treatment with Starwax protective oil

\*\* 2in1 mono-layer treatment with Rubio Easy Deco protective oil

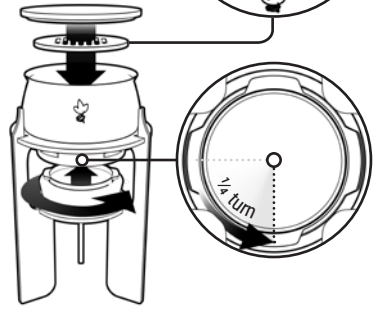
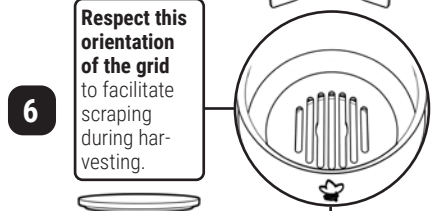
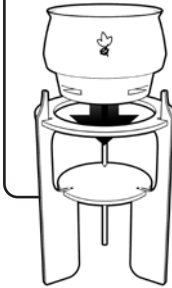
# Assembly

Additional photos on [activaterre.fr/montage](http://activaterre.fr/montage)

For now, Activaterre is still dismantled. To bring your new vermicomposter to life, all you need to do is follow the few steps illustrated below. The only tool you will ever need is provided, it's your turn!

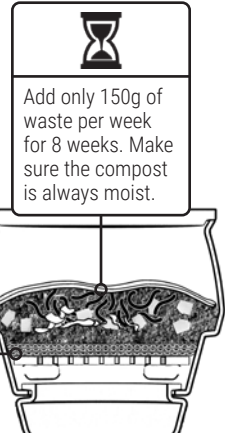
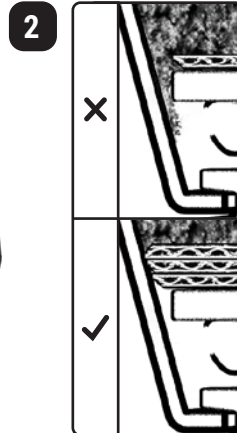
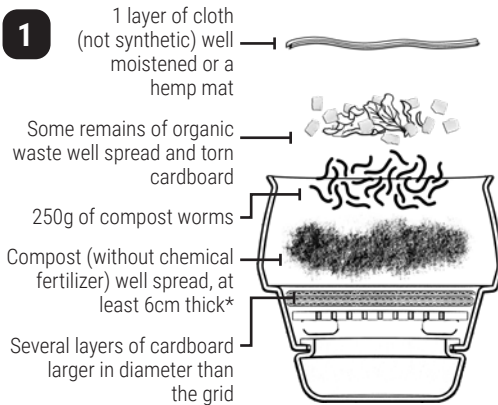


The screws are self-tapping, you just need to **exert vertical pressure on them**, while screwing, so that they pierce the legs.



# Start

Patience is the key to a successful start. Initially, the worms will need some time to acclimate to their new home and for you to be able to feed them at a normal rate. To help them adjust, you'll make a small bedding for them, being careful not to leave any gap between the grid and the box. Otherwise, beware of worm leaks!



\*Not required but greatly improves compaction, keeps worms away from the grid and gives them more room to bask

# Feeding

*That's it, 5-6 weeks have passed, your worms now feel at home, so they are able to eat the equivalent of their weight per day. We will see how to feed them while respecting their diet.*

What to feed	✓
Fruit and vegetable waste	
Coffee grounds	
Infused tea	
Egg shells	
Cardboard	
Egg box	
Toilet paper roll	

✗	What not to feed
	Dairy products
	Meat, bones, fish
	Glossy paper
	Color printed paper
	Garlic, onion, shallot
	Citrus fruits and their peel
	Non-biodegradable materials

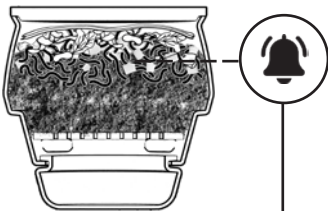


!	Make sure that the ambient temperature around your vermicomposter is always between 15 and 25 ° C.
	To facilitate the assimilation of your waste, pre-cut your intakes.
	Don't add more trash than the worms can eat, otherwise mildew will appear.
	Sprinkle with crushed eggshells once in a while to prevent the compost from turning acid.
	Make sure that the compost is always sufficiently moist, it should release a few drops when you squeeze it in your hand.
	Cover your compost with a few layers of damp (non-synthetic) rags so that it is more effectively protected and your worms can bask in it.

# Harvest

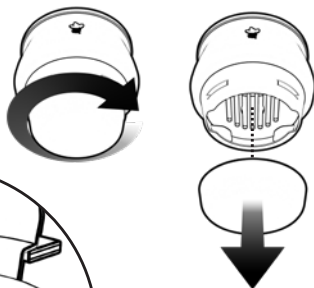
Is your tank almost full? It is time to make some room and harvest the precious compost that has settled on the grid. To do so, all you have to do is unscrew the receptacle, place it on the platform, and, thanks to the 2-tooth claw, scrape in the interstices to crumble the compost and make it fall through. As the worms are attracted to the waste in the upper part, you will not have to sort them. Convenient, isn't it?

1



Always wait until **your tank is full before harvesting**. If you harvest too early, there won't be enough substrate above the grid and your compost, no longer sufficiently compacted, will pass by itself through the interstices.

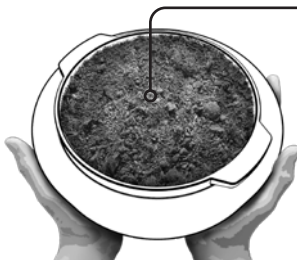
2



3



4



Use it as a fertilizer by mixing it with soil (1/3 vermicompost), your household plants will thank you.

Share it with your neighbours or your vegetable farmer, they will be delighted.

If you store it, take care that it never gets dry.

## Safety and maintenance

- Do not screw/unscrew the legs when the main tank rests in the ring.
- Do not move the vermicomposter when the main tank is resting in the ring.
- Do not climb on the wooden stand.
- If installing on your balcony/terrace, make sure it is covered to prevent it from getting wet in bad weather.
- Keep children away from the claw to prevent them from injuring themselves with it.
- Over time, stains may appear on the ceramic. This is due to its porosity, do not try to remove them with chemicals.
- If necessary, clean the wooden and cork parts with a damp cloth.

## Some useful links

- Find compost worm donors: <https://plus2vers.com/fr/carte/>
- Check your eligibility for possible subsidie: <https://frama.link/carte-aides-lc>
- Become a vermicomposting expert: <https://frama.link/lc-facile>



ACTIVATERRE®

<http://www.activaterre.fr>  
[contact@activaterre.com](mailto:contact@activaterre.com)

We are counting on you to share your experience!

#lombricompostactivaterre  
#moncompostzeroplastique



? More info in [our FAQ](#)

FR Disponible sur [notre site](#)

015 - March 2021